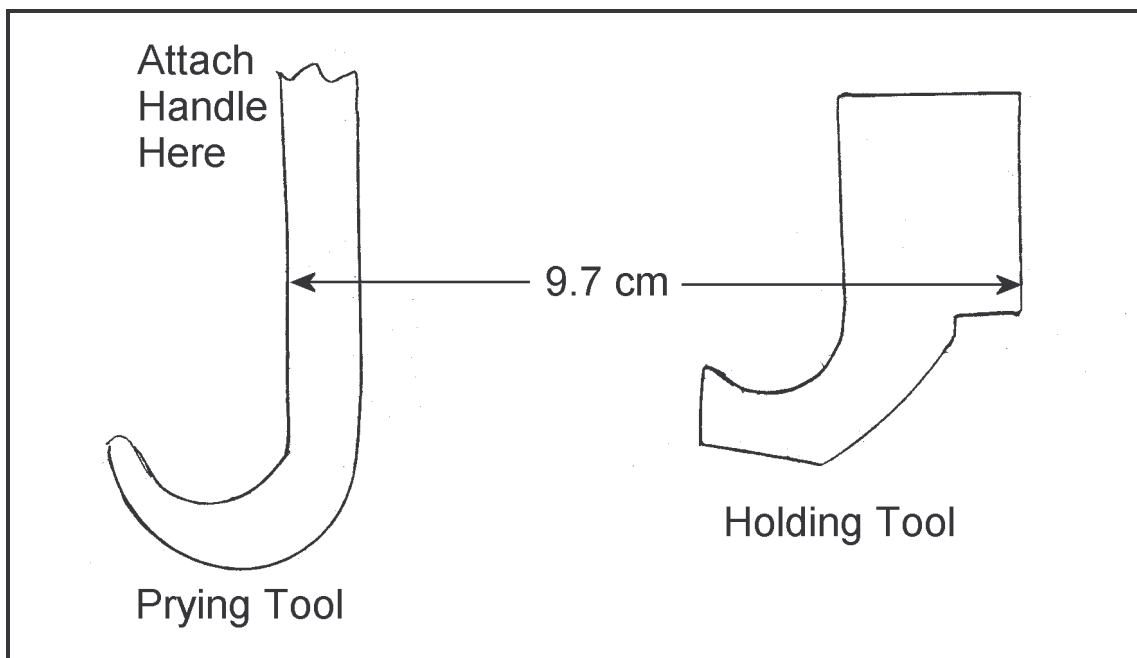


## BMW 2-valve K-bike valve adjustment tools

There are two tools; the prying tool compresses the valve spring and the holder keeps the spring compressed when so the shim can be removed. They are made from 3/16 to 1/4" steel. I made mine using a drill, file, cold chisel and hacksaw. The prying tool needs to be attached to a suitable handle. I used an old screwdriver.

The outlines below were made by tracing around the finished tools, therefore they are slightly larger than the actual tools. Your tools should just fit in the outlines. Ultra precision is not required. They should print at actual size in Adobe if the page scaling is set to "none". Check the 9.7cm distance on the print out. You may have to tweak the scaling to compensate for your printer.



### Finished Tools

